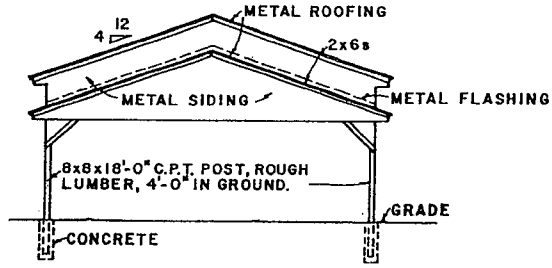
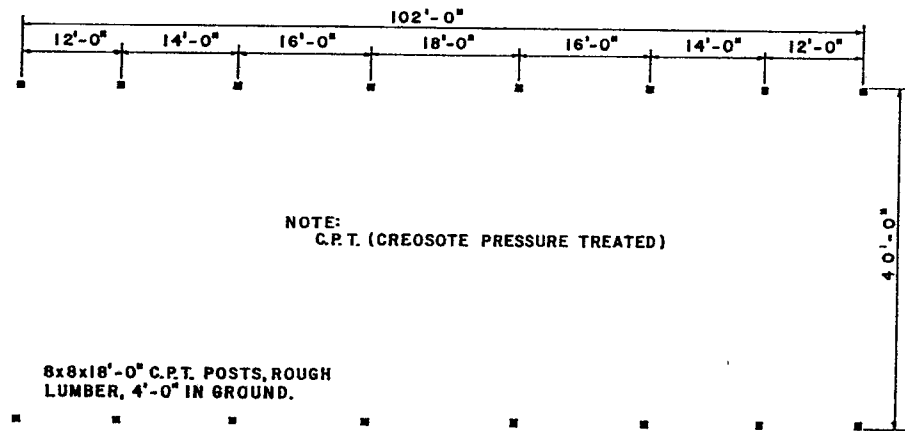


FRONT ELEVATION

SCALE: 3/32" = 1'-0"

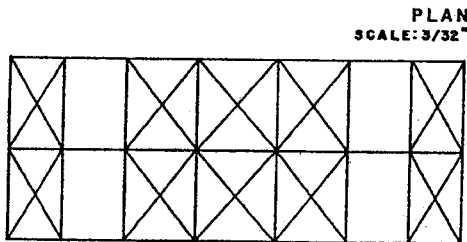


RIGHT END ELEVATION



NOTE:
C.P.T. (CREOSOTE PRESSURE TREATED)

8x8x18'-0" C.P.T. POSTS, ROUGH
LUMBER, 4'-0" IN GROUND.

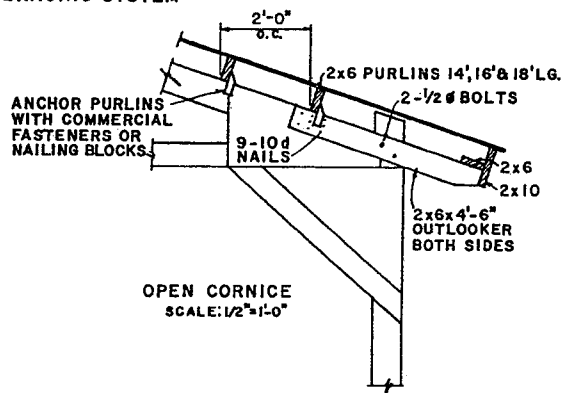


ROOF BRACING SYSTEM

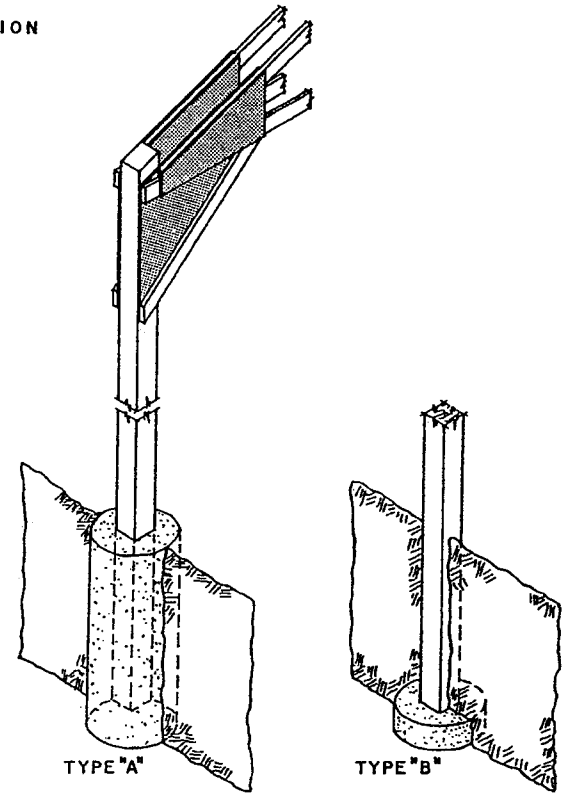
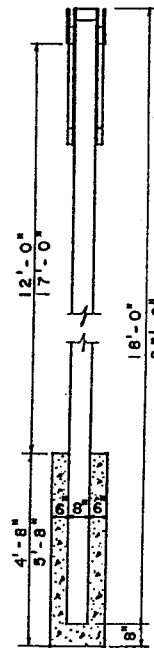
PLAN
SCALE: 3/32" = 1'-0"

NOTE:
CONSULT LOCAL HEALTH AND
BUILDING CODE AUTHORITIES
BEFORE STARTING CONSTRUCTION

NOTE:
USE 1x6 BRACES
NAILED UNDER PURLINS.



OPEN CORNICE
SCALE: 1/2" = 1'-0"



DETAILS SHOWING POST & TYPES OF FOOTINGS
SCALE: 3/8" = 1'-0"

NOTES:
ALL LUMBER SHALL BE STRESS GRADED TO
PROVIDE 1500 PSI FIBER STRESS IN BENDING,
AND 1350 PSI IN COMPRESSION.
ONE TRUSS CAN SAFELY CARRY A LOAD OF
200 LBS. PER FOOT OF SPAN.
DIMENSIONS OF MEMBERS SHOWN OTHER
THAN POSTS ARE BASED ON THE USE OF
DRESSED LUMBER.

BASED ON: MISS. STATE UNIV. PLAN NO. 5841B



IMPLEMENT SHED

MISS. '73 EX. 6168 SHEET 1 OF 2

Disclaimer

This site makes available conceptual plans that can be helpful in developing building layouts and selecting equipment for various agricultural applications. These plans do not necessarily represent the most current technology or construction codes. They are not construction plans and do not replace the need for competent design assistance in developing safe, legal and well-functioning agricultural building system. The LSU Agriculture Center, the Mid-West Plan Service, the United States Department of Agriculture and none of the cooperating land-grant universities warranty these plans.