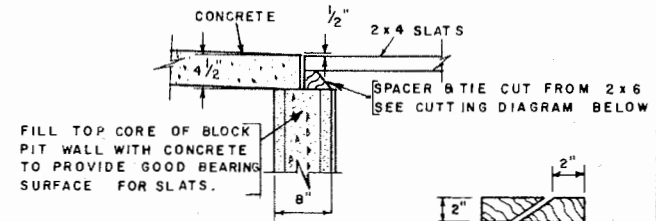


PLAN

SCALE: 1/8" = 1'-0"

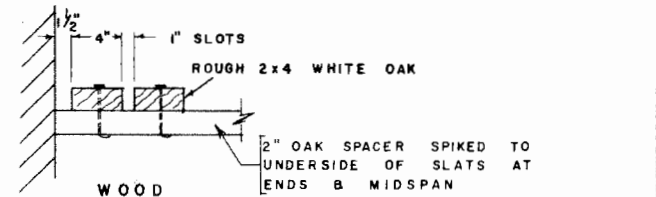


PIT CONSTRUCTION DETAIL

NOT TO SCALE

FILL TOP CORE OF BLOCK PIT WALL WITH CONCRETE TO PROVIDE GOOD BEARING SURFACE FOR SLATS.

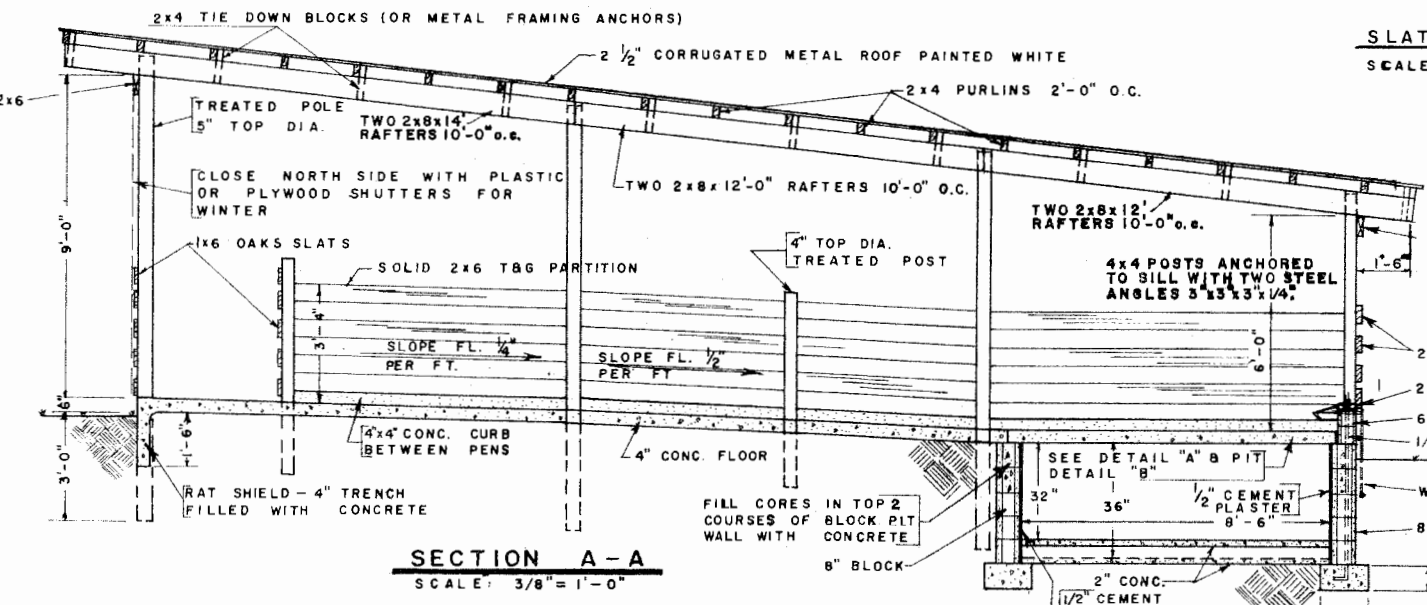
WHEN THE PIT WALL IS CONSTRUCTED AS SHOWN ABOVE WOOD OR CONCRETE SLATS ARE INTERCHANGEABLE.



SLAT DETAIL

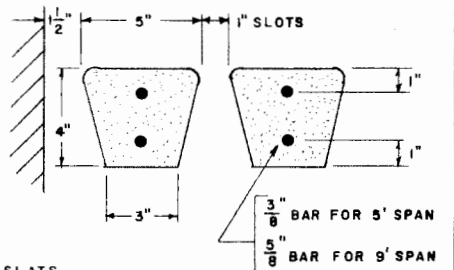
SCALE: 1/2" = 1'-0" FINISH PLAN

FOR FARROWING OR FEEDER PIG PLAN SEE DETAIL B FOR WOOD SLATS USED ON FARROW TO



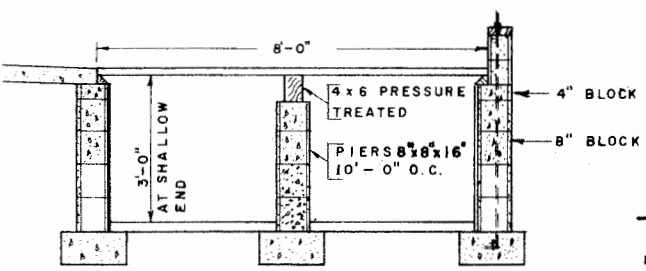
SECTION A-A

SCALE: 3/8" = 1'-0"



CONCRETE

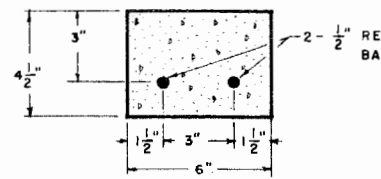
NOTE: FILL FEEDERS WITH FIXED AUGER FROM FROM FEED BIN (IF TWO RATONS ARE FED, TWO BINS ARE NEEDED) OR FROM TRUCK ON NORTH SIDE WITH PORTABLE AUGER.



DETAIL "B"

SCALE: 1/2" = 1'-0"

PIT DETAIL USING WOOD SLATS



DETAIL "A" - PRECAST LINTEL

SCALE: 3" = 1'-0"

NOTE: LINTEL OVER PIT CAN BE OMITTED IF CURB OVER PIT IS OMITTED.

NOTES:

CONSULT LOCAL HEALTH AUTHORITIES BEFORE STARTING CONSTRUCTION TO BE SURE THAT THE PLAN CONFORMS WITH LOCAL AND STATE REGULATIONS.

DIMENSIONS OF MEMBERS SHOWN OTHER THAN POLES ARE BASED ON THE USE OF DRESSED LUMBER.

PRESSURE-TREATED WOOD SHOULD RETAIN THE EQUIVALENT OF LBS. OF CREOSOTE PER CUBIC FOOT.

ALL METAL FASTENERS TO BE GALVANIZED.

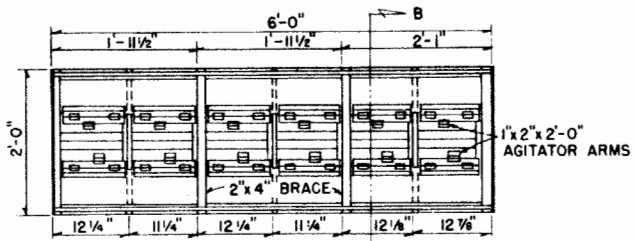
BASED ON: MISS. STATE UNIV. PLAN 5986B AND NORTH CAROLINA STATE UNIV. PLAN



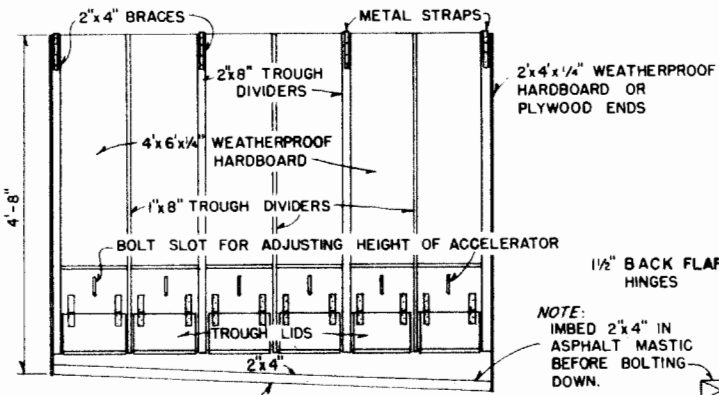
PART SLAT FEEDING FLOOR

200 PIGS

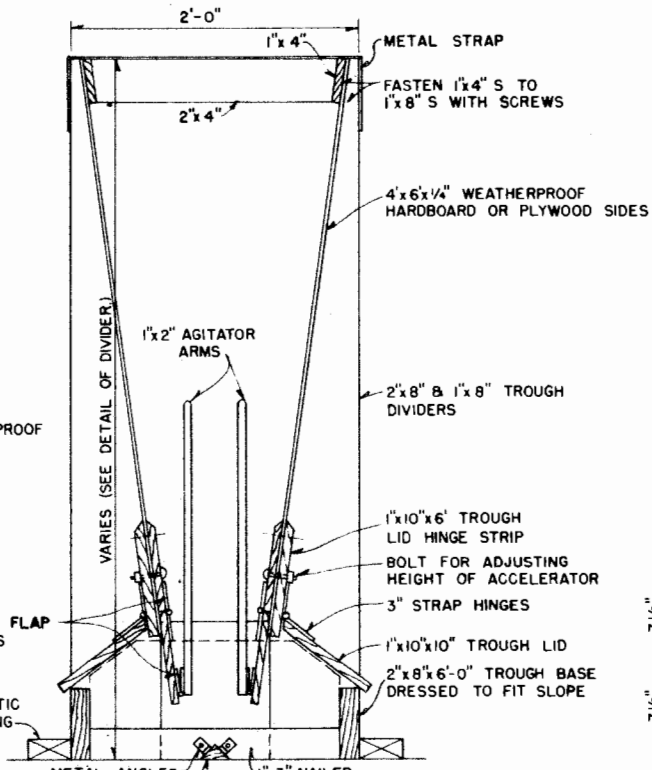
MISS. '73 EX. 6169 SHEET 1 OF 2



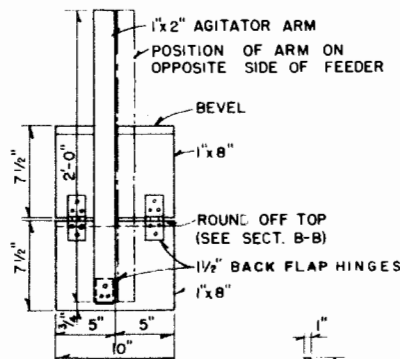
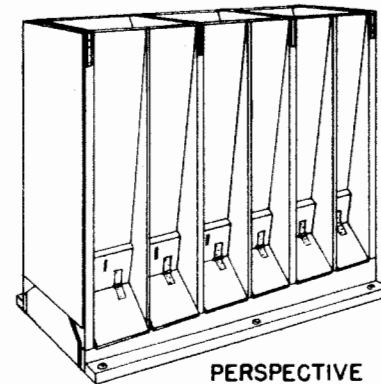
PLAN OF FEEDER
 (METAL STRAPS NOT SHOWN)
 SCALE: 3/4" = 1'-0"



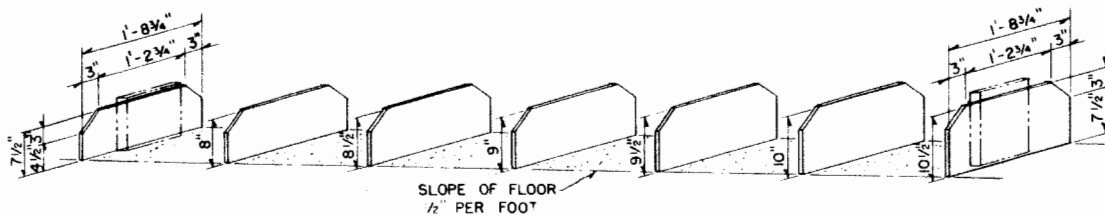
FRONT ELEVATION
 SCALE: 3/4" = 1'-0"



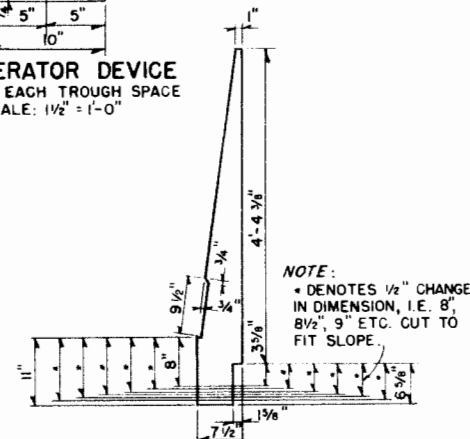
SECTION B-B
 SCALE: 1/2" = 1'-0"



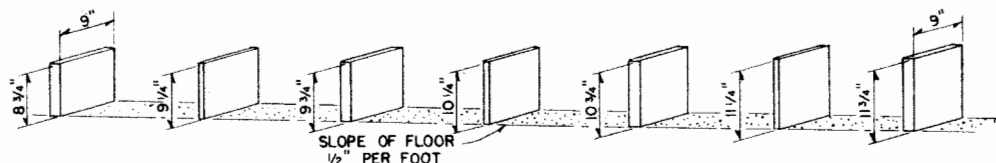
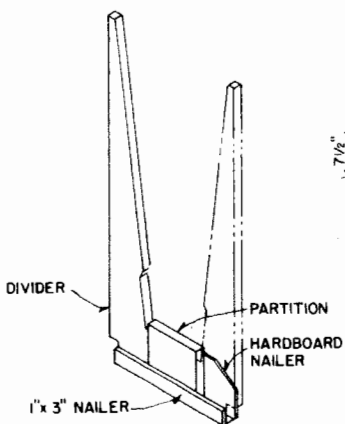
ACCELERATOR DEVICE
 ONE FOR EACH TROUGH SPACE
 SCALE: 1/2" = 1'-0"



ISOMETRIC VIEW OF NAILERS
 1/4" HARDBOARD 7 PIECES



DIVIDER & END
 8 PIECES 2'x8" 6 PIECES 1'x8"
 SCALE: 3/4" = 1'-0"



ISOMETRIC VIEW OF PARTITIONS
 4 PIECES 2'x10" 3 PIECES 1'x10"

NOTE:
 NUMBER OF PIECES AS NOTED ARE REQUIRED FOR EACH FEEDER.



PART SLAT FEEDING FLOOR
 200 PIGS

MISS. '73 EX. 6169 SHEET 2 OF 2

Disclaimer

This site makes available conceptual plans that can be helpful in developing building layouts and selecting equipment for various agricultural applications. These plans do not necessarily represent the most current technology or construction codes. They are not construction plans and do not replace the need for competent design assistance in developing safe, legal and well-functioning agricultural building system. The LSU Agriculture Center, the Mid-West Plan Service, the United States Department of Agriculture and none of the cooperating land-grant universities warranty these plans.